

Project: Downtown Cultural Corridor Trail head/ Complete Street Amenities at Founders Park

Founders Park is a central location for downtown Marion. It is next to the Marion Area Transit Depot and serves as the trail head for the 3 Shoe the Loop Walking Paths and is along the Cultural Corridor that leads to the new Harding Presidential Library and is home to the Marion Farmers Market.

The Project would include purchasing the following ADA complaint site amenities to be placed at Founders Park and bike/ pedestrian street furniture along Center & Church Streets to further accentuate the Cultural Corridor. A grant total of \$41,700.

Founders Park:

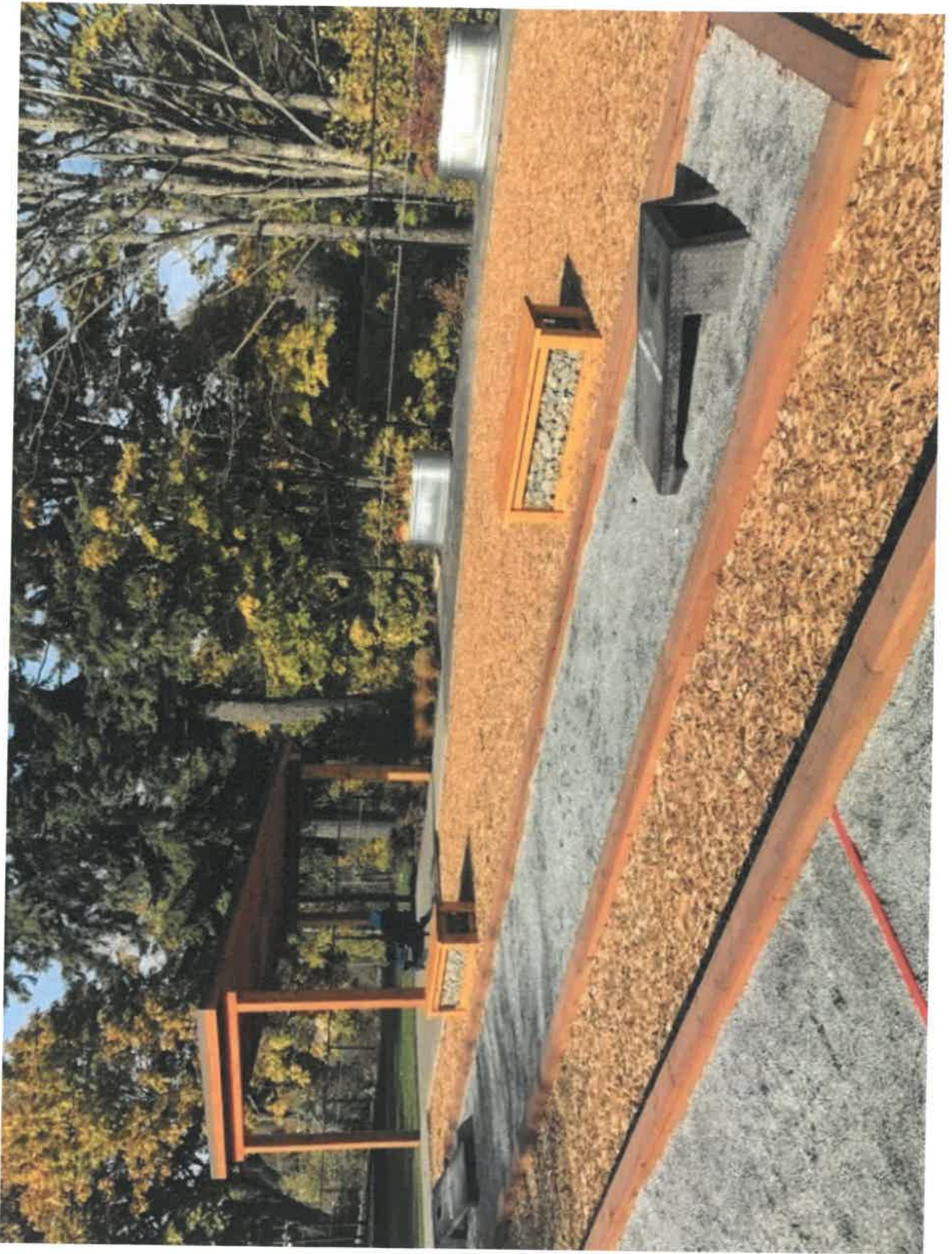
- Pergola to add shade for those utilizing Founders Park at as trail head or those using the bus station plus serve the Farmers Market. \$20,000
- 1 Water fountain with bottle filler & pet bowl to serve bike/ pedestrians \$3,000
- 4 Movable ADA compliant picnic tables that can accommodate wheelchairs that can serve the park and also be pulled into the street or alley for complete street/ Better Block events. (\$900 each x 4 - \$3,600)
- 1 pair of concrete corn hole game to encourage free, simple multi-generational outdoor activity for the community (\$1,500)
- Bike Repair (\$1,600)

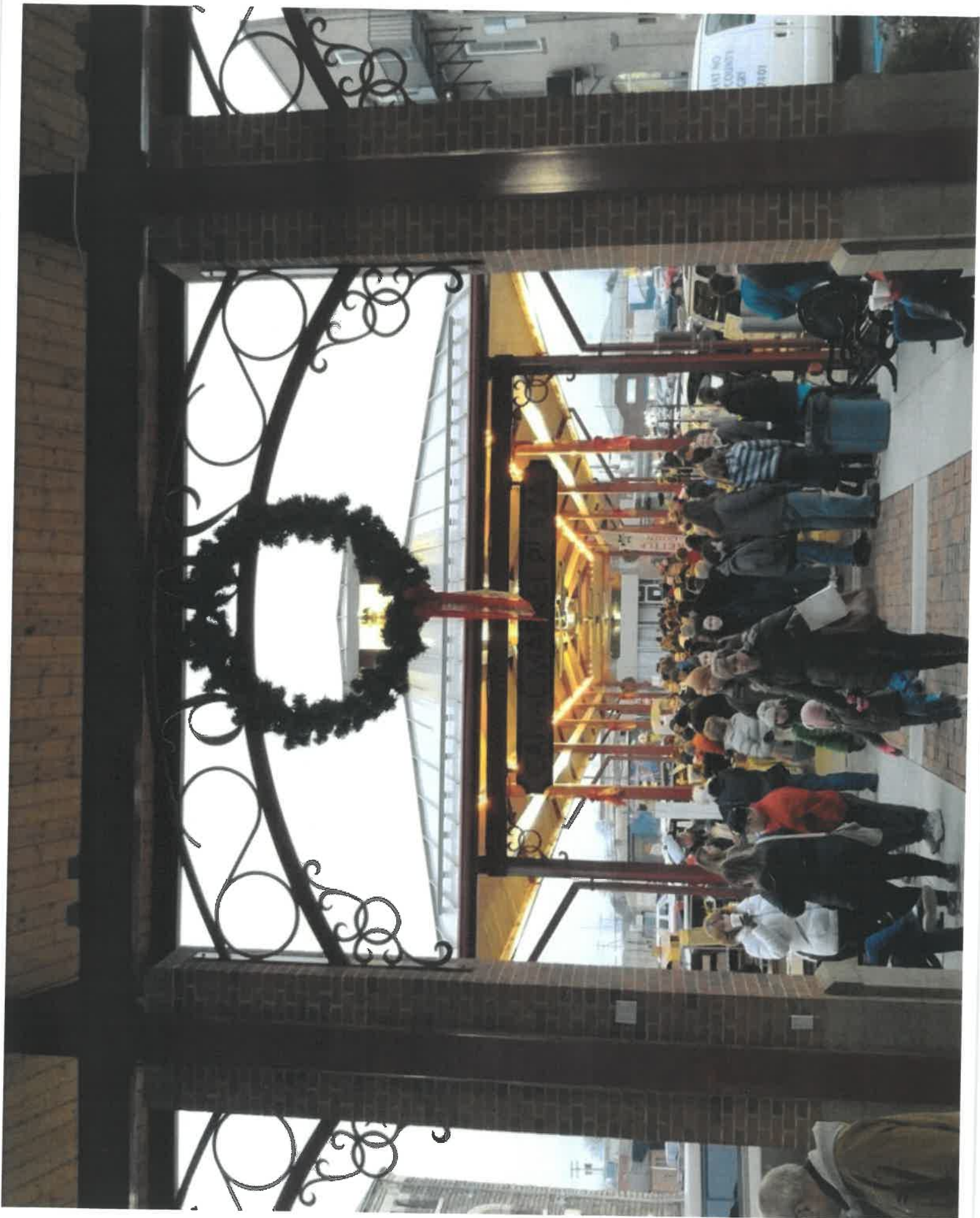
Cultural Corridor:

- 6 Personalized park benches to be located along the entire cultural corridor to encourage bike/ use between cultural landmarks \$2,000 per bench (6x \$2,000 = \$12,000)

Partners: City of Marion, Downtown Marion Inc. & Main St. Reimagined, who utilizes the ally for events, Marion Area Transit and Marin Farmers Market who locate at the park.

Community Impact: Ability to encourage multiple modes of active transportation to experience the sites on the Cultural Corridor. To make the more inclusive by having ADA tables and opportunity for free outdoor play for all ages and abilities. To improve the setting of Founders Park as home to the Farmers market which promotes healthy eating and local food.







Custom detail or design? No problem! One of our experts can help you design the perfect solution. [Learn More](#)



Don't want to assemble? We can deliver and assemble anywhere in the Continental U.S. [Learn More](#)

DEL NORTE OUTDOOR KITCHEN PAVILION



Del Norte Outdoor Kitchen Pavilion

Cooking and entertaining outdoors is one of life's sweet pleasures. An Outdoor Kitchen Pavilion is an ideal way to focus your outdoor kitchen needs under one roof. You can size to add space for a dining, lounging or a bar area too.

Configure For Pricing



Rating: 5 reviews

Price as Configured: \$17,970.00

1. Select Del Norte Pavilion Length:

20 ft



2. Select Del Norte Pavilion Width:

10 ft



3. Select Wall Privacy Panels:

No Wall Privacy Panels - (MOST POPULAR)

[Help me Choose](#)



Wood Grade & Warranty:

California Redwood (15-yr Warranty) - MOST POPULAR [SELECTED]

[Help me Choose](#)



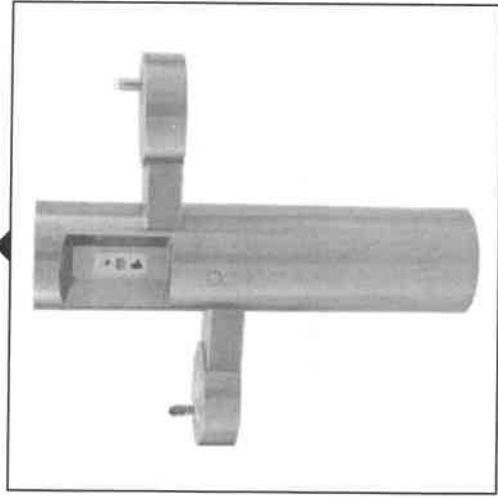
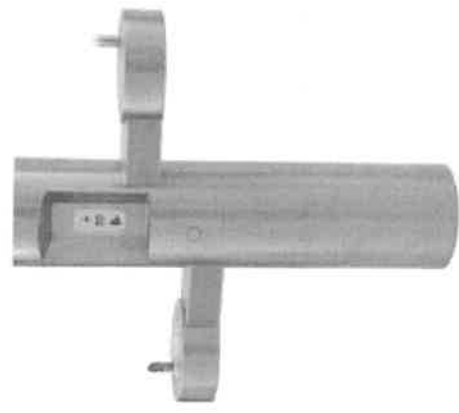
SELECT OPTIONS



FREE SHIPPING IN
THE CONTINENTAL U.S.

Outdoor Pedestal Bottle Filler w/Barrier-Free Bi-Level Drinking Fountain (GYQ)

> [Drinking Fountains](#) > [Outdoor Pedestal Bottle Filler w/Barrier-Free Bi-Level Drinking Fountain \(GYQ\)](#)



[Back](#)

\$3,083.00

SKU: GYQ8

2-4 week lead time: Online shipping not available. ADD ITEM TO CART and Request Quote

Qty:

- Color:**
- Blue (7)
 - Green (5)
 - Red (6)
 - Satin Stainless Steel (4)

- Options:**
- None
 - Cartridge valve on fountains (not available with freeze-resistant valve(CV)
 - Underground Freeze-Resistant, 3 Valves (Less filter and sensor)(FRU3) (Add \$1,235.00)
 - Underground freeze-resistant, 4 valves (Less filter and sensor) (FRU4) (Add \$1,520.00)
 - In-Ground Anchor Plate (IAP) (Add \$228.00)
 - Bottle filler operated by pushbutton only (Standard with freeze-resistant valves) (MO) (Add -\$222.28)
 - Pet Fountain (PF) (Add \$719.00)

[Add To Cart](#)



- ADA 8' Rectangle Table – Perforated – Portable



Site Amenities - Picnic Tables

ADA 8' RECTANGLE TABLE PERFORATED – PORTABLE

Product #: LTPQ115Q

\$908.00

Weight: 308 lb

Certification: CPSC

Quantity:

- 1 +



ADD TO QUOTE

FIND MY

We are open. When the adventurous start to visit you, they'll want to spread out. Order now so your space can be ready!

ogin



sales@kaypark.com



866



PRODUCTS





INDUSTRIES

CONTACT

ABOUT US



Hi

PRODUCT	PRICE	QUANTITY	SUBTOTAL
 Bag Toss/Corn Hole Skate Deterrant	\$116.00	1	\$116.00
 Bag Toss/Corn Hole Bike Deterrant	\$147.00	1	\$147.00
 Concrete Cornhole Game One Pair (2 boards)	\$1,069.00	1	\$1,069.00
 Bag Toss/Corn Hole, 8 Boards	\$42.00	1	\$42.00

Cart totals

Subtotal **\$1,374.00**

Shipping: Calculate shipping

Tax \$0.00

Total **\$1,374.00**

PROCEED TO CHECKOUT

Evie Warr-Cummings

From: The Bench Factory <info@thebenchfactory.com>
Sent: Wednesday, February 10, 2021 1:29 PM
To: Evie Warr-Cummings
Subject: [BULK] New Quote #QBF200012338 created



Hello Evelyn Warr-Cummings,

Please have a look at request quote details.

Quote #QBF200012338 (placed on Feb 10, 2021 18:28:49 UTC)

Shipping Information:

Evelyn Warr-Cummings,
222 W. Center St.,
Marion, Ohio, 43302
United States
7402234143

Message:

Quote Items:

Product name	Sku	Qty	Unit Price	Total	Discount
Plastic-Coated Personalized Benches Select Color : Burgundy Length : 8 Foot	PUP954-WL8-BU	1	\$1,478.85	\$1,478.85	\$0.00
Download PDF					

Sub Total: \$1,478.85

Shipping: \$215.40

Tax: \$127.55

Discount: \$0.00

Grand Total: \$1,886.80

Regards, <https://www.thebenchfactory.com/>
TreeTop Products

info@treetopproducts.com

1-866-511-5642



OPTIONS SELECTED



Plastic-Coated Personalized Benches

SKU# 2ZZ2002-BU | Usually Ships In 6-8 Weeks

Subtotal: **\$1,478.85** Save 20% (~~1,849.00~~)

★ REVIEWS



Price Per Unit: \$1,478.85 Buy 6 & Save \$66.00 Each

 EDIT  REMOVE **PREVIEW**

© 2019 Copyright The Bench Factory, All rights reserved.

Bike repair station

Infrastructure.

	PRICE	QUANTITY
Bike Pump (With Gauge, r Stand Mount)	\$700.00	- 2 +
ork Stand (Powder Coat) - Red	\$915.00	- 1 +